

## ALL-CONCRETE FINGER

An all-concrete finger from **SF MARINA** provides the highest possible standard and comfort. The heavy weight of the finger makes it extremely stable.

As a result of the use of high quality materials, coupled with a thorough manufacturing process, the finger enjoys a long life-span.

The finger is built to cope with our Scandinavian climate and to withstand the autumn hurricanes and harsh winters.

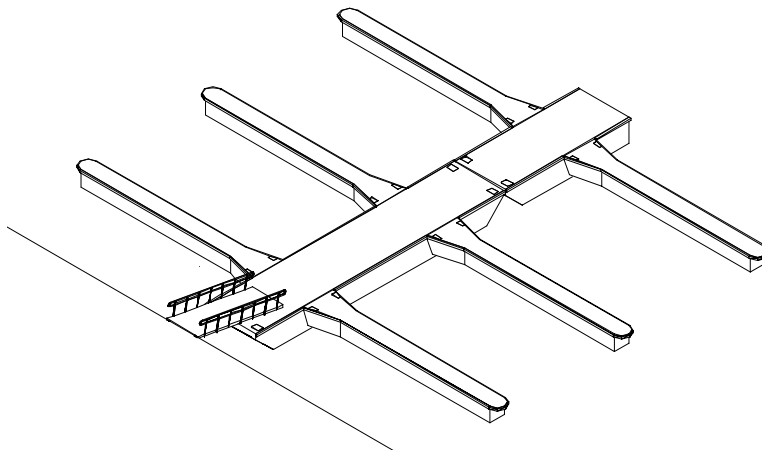
The all-concrete finger is designed to be used together with our all-concrete pontoons, primarily the type 1000 series but can also

be combined with other models.

The all concrete and styrofoam construction of the finger produces a very high degree of buoyancy thus making it virtually unsinkable.

It is practically maintenance-free and has little or no impact upon Nature and the Environment.

Normally, the fingers are coupled to the main pontoon through our special connectors. In addition, fingers of 15 m. length or more are designed to be secured / moored at the end of each finger.



### DATA ALL-CONCRETE FINGER

The finger is manufactured in accordance with the Swedish Concrete Standards BBK 94

Length:	10.0, 12.0, 15.0 and 20.0 m
Width:	Incl. Fender 1.34 m
Width:	Excl. Fender 1.2 m
Y-width:	2.4 m
Height:	1.2 m
Weight:	9.0, 10.0, 13.0 and 17.0 ton
Freeboard:	0.5 m

All-concrete finger: Concrete: K50. Air 6%.  $W_{cr} \leq 0.4$ . Reinforcement: Nps 500, Ks 500, Ks 600. Styrofoam: min. 65kPa.

Cast-in materials: Stainless or hot-dipped galvanised steel. Wood fender: Pressure-treated pine 70 x 145 mm.

Other dimensions can be offered upon request. Rights reserved for alterations.

